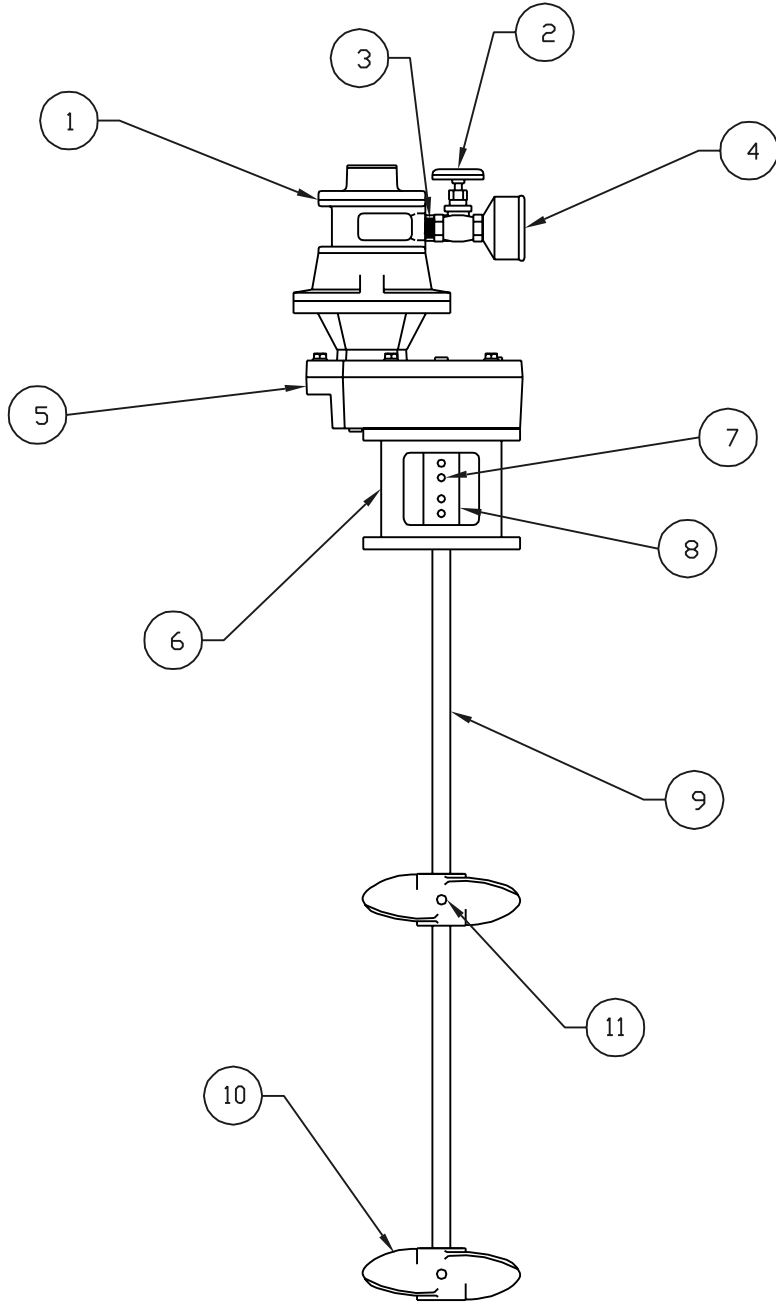




4310 N. 126Th St.,
 Brookfield, WI 53005
 Phone (262) 781-5020
 Fax (262) 781-8120

10-1224-5 PARTS SHEET

DRAWN 1/19/05	DRAWN BY AVC	DWG. NO. 10-1224-5
---------------	--------------	--------------------



ITEM #	DESCRIPTION	PART #	QTY.
1	1224 AIR MOTOR	1224	1
2	NEEDLE VALVE	141-004	1
3	1/2" NPT CL NIPPLE	110-222	1
4	MUFFLER	615-012	1
5	GEAR BOX	616-002	1
6	STOOL	531-015	1

ITEM #	DESCRIPTION	PART #	QTY
7	5/16-18 SET SCREW	120-041	4
8	SHAFT COUPLING	421-008	1
9	3/4" X 31" S.S. SHAFT	4134-31	1
10	8" 316 S.S. PROPELLERS	SP080-075	2
11	5/16 X 3/4 SQ HD	120-043	2